

PLEASE CHECK WWW.MOLEX.COM FOR LATEST PART INFORMATION

Part Number: [0082245902](#)
Status: **Active**
Description: 2.54mm (.100") Pitch Round Conductor Flat Cable - 24 AWG (7 x 32) Stranded, Topcoat, 2 Circuits, Reel 30.48m (100.0') Length

Documents:

[Drawing \(PDF\)](#) [RoHS Certificate of Compliance \(PDF\)](#)

Agency Certification

CSA LR61126
 UL E61522

General

Product Family Cable
 Series [8997](#)
 Crimp Quality Equipment Yes
 Geographic Area Asia
 Product Name Ribbon

Physical

Cable Length 30.48m (100.0')
 Circuits (Loaded) 2
 Insulation PVC
 Packaging Type Reel
 Pitch - Term. Interface (in) 0.100 In
 Pitch - Term. Interface (mm) 2.54 mm
 Temperature Range - Operating -20°C to +105°C
 Wire Size AWG 24
 Wire/Cable Type (7x32) Stranded, Topcoat

Electrical

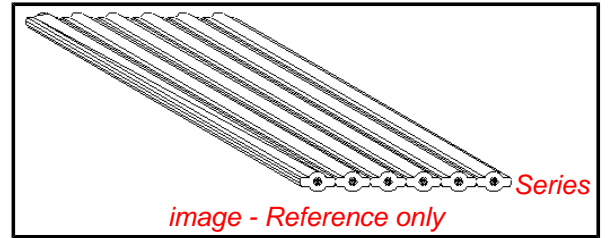
Current - Maximum per Contact N/A
 Voltage - Maximum 300V

Material Info

Old Part Number 8997-02-100B

Reference - Drawing Numbers

Sales Drawing SD-8997-001



EU RoHS

**ELV and RoHS
 Compliant**
REACH SVHC
 Not Reviewed
**Halogen-Free
 Status**
 Not Reviewed

China RoHS



Need more information on product environmental compliance?

Email productcompliance@molex.com
 For a multiple part number RoHS Certificate of Compliance, [click here](#)

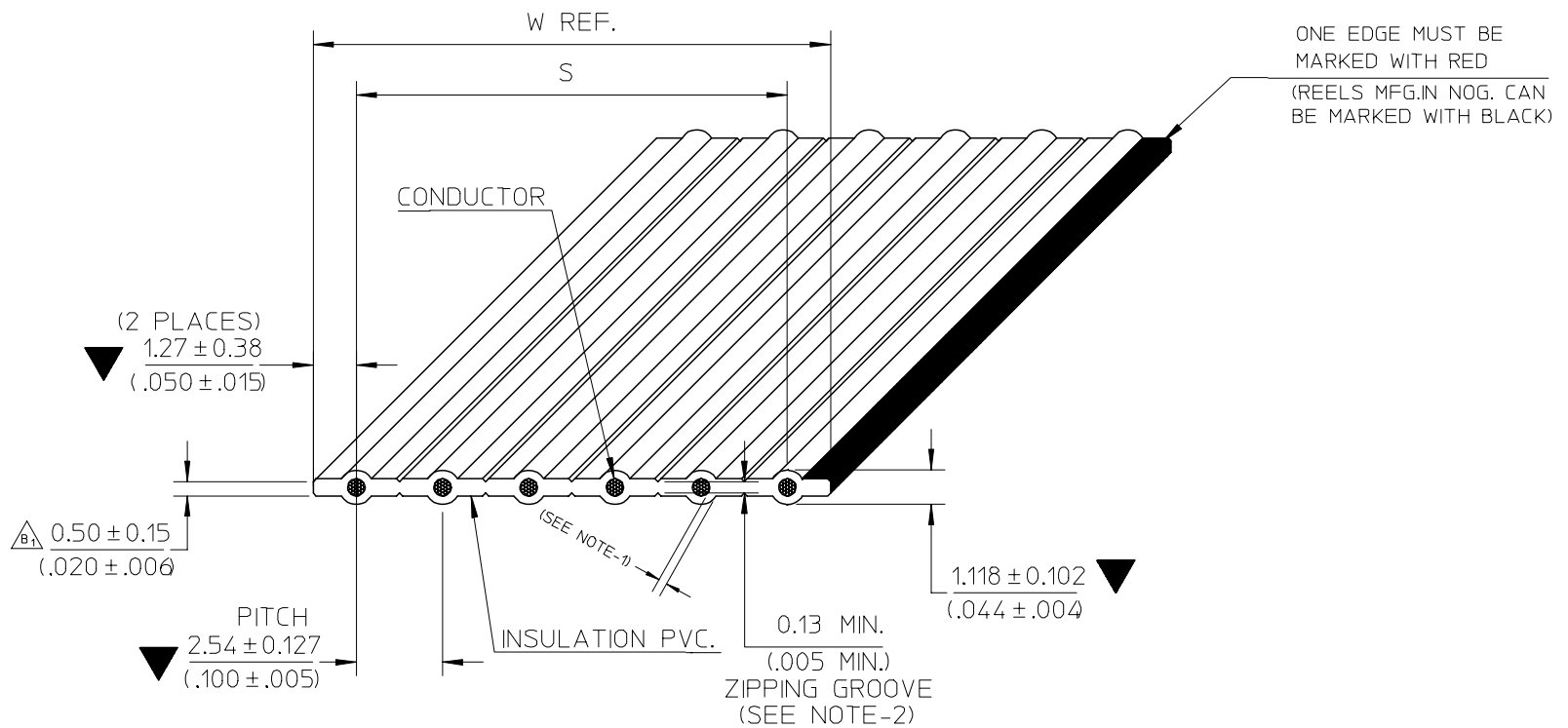
Please visit the [Contact Us](#) section for any non-product compliance questions.

Search Parts in this Series

[8997Series](#)

Use With

[70400](#) C-Grid SL™ IDT Connector Assembly. [70475](#) SL™ IDT Connector Assembly. [7720](#) KK® IDT Double Cantilever Contact



- NOTE :**
1. THE CABLE SHALL HAVE A MINIMUM OF 0.178mm. (.007") THICKNESS INSULATION AT ANY POINT
 2. RIP TEST:
 - THE 0.13mm. (.005") ZIPPING GROOVE SHALL BE CAPABLE OF BEING RIPPED BY HAND WITHIN THE RECESS, WITHOUT EXPOSING THE ADJACENT CONDUCTORS
 3. RoHS AND LEAD FREE COMPLIANT
 4. SPECIAL REQUIREMENT: N/A

| | | | |
|--------------|-----------|---|----------|
| B | E-07-0748 | B ₄ : ADD NON-OPERATING TEMP. B ₃ : ADD SOLDERING CONDITION B ₂ : CHANGE ELECTRICAL B ₁ : CHANGE WEB THICKNESS | 07/09/26 |
| A | N/A | NEW RELEASE | 06/07/18 |
| REV. HISTORY | EC NO. | DETAIL | DATE |

| | | | | | | | |
|--|-----------------|---------------------------------------|-------------|-----------------|---|--|------------------------|
| SEE CHANGE DETAIL EC NO: THL2008-0015 DRWN: CPANSAKHOM 2007/11/28 CHKD: DNARINTARA 2007/11/29 APPR: SVIRATJAPOL 2007/12/04 | QUALITY SYMBOLS | GENERAL TOLERANCES (UNLESS SPECIFIED) | | DIMENSION STYLE | SCALE | DESIGN UNITS | THIRD ANGLE PROJECTION |
| | ▽=3 ▽=0 | mm | INCH | MM/IN | NTS | INCH | |
| | | 4 PLACES ± --- | ± --- | DRAWN BY | DATE | TITLE | |
| | | 3 PLACES ± --- | ± --- | CPANSAKHOM | 2006/07/18 | FCB ROUND CONDUCTOR 2.54MM(.100)CENTER PVC. 24AWG STRANDED TOPCOATED | |
| | 2 PLACES ± --- | ± --- | CHECKED BY | DATE | MATERIAL NO. | | SHEET NO. |
| | 1 PLACE ± --- | ± --- | PMEECHAI | 2006/07/18 | SD-8997-001 | | 1 OF 3 |
| | | ANGULAR ± ---° | APPROVED BY | DATE | MOLEX INCORPORATED | | |
| | | | SVIRATJAPOL | 2006/07/18 | THIS DRAWING CONTAINS INFORMATION THAT IS PROPRIETARY TO MOLEX INCORPORATED AND SHOULD NOT BE USED WITHOUT WRITTEN PERMISSION | | |

SPECIFICATIONS

PHYSICAL

CONDUCTOR SPACING ----- 2.54 (.100") \bar{C} TO \bar{C}
 WIRE GAUGE ----- 24 AWG(7/32) STRANDED TOPCOATED
 INSULATION ----- P.V.C GRAY (LEAD FREE)

AGENCY

U.L. STYLE NO. ----- 2651
 TEMPERATURE RATING ----- -20°C TO 105°C
 VOLTAGE RATING ----- 300V.MAX.
 FLAMMABILITY RATING ----- VW-1

\triangle_{B_2} ELECTRICAL

CONDUCTOR RESISTANCE (D.C.) ----- 27m. OHMS/FT. MAX.
 CHARACTERISTIC IMPEDANCE ----- 134 OHMS NOM. (GS)
 114 OHMS NOM. (GSG)
 CAPACITANCE ----- 6.6 pF/FT. NOM. (GS)
 12.0 pF/FT. NOM. (GSG)
 PROPAGATION DELAY ----- 1.4 ns/FT. NOM.
 INSULATION RESISTANCE ----- 10M OHMS (10FT. SAMPLE)
 DIELECTRIC WITHSTAND VOLTAGE ----- 2000 VRMS/MINUTE

GENERAL

\triangle_{B_4} NON-OPERATING TEMPERATURE ----- -20°C TO 105°C
 FAULTS AND/OR SPLICES ----- 1/REEL MAX. 100 $^{+3}_0$ FT. (30.48 $^{+0.914}_0$ M.)/REEL
 20FT. (6.096M.) MIN. LENGTH

\triangle_{B_3} SOLDERING CONDITION

SOLDER TEMPERATURE ----- 260°C. MAX.
 SOLDERING TIME ----- 3 SECOND, MAX.
 INSULATION SHRINK ----- 2MM. NOM.

| | | | | | | | | | | | |
|--|--------------------|--|---------------------------------------|--------------------|-----------------|------------------|-------|--------------------|---|--|--|
| SEE CHANGE DETAIL EC NO: THL2008-0015 DRWN: CPANSAKHOM 2007/11/28 CHKD: DNARINTARA 2007/11/29 APPR: SVIRATJAPOL 2007/12/04 | DESCRIPTION REV | QUALITY SYMBOLS | GENERAL TOLERANCES (UNLESS SPECIFIED) | | DIMENSION STYLE | | SCALE | DESIGN UNITS | THIRD ANGLE PROJECTION | | |
| | | $\blacktriangledown =$ $\triangle =$ | mm | INCH | MM/IN | | NTS | INCH | DRAWN BY DATE CPANSAKHOM 2006/07/18 CHECKED BY DATE PMEECHAI 2006/07/18 APPROVED BY DATE SVIRATJAPOL 2006/07/18 MATERIAL NO. SEE CHART DOCUMENT NO. SD-8997-001 SHEET NO. 2 OF 3 | | |
| | | | 4 PLACES \pm ---- | \pm ---- | DRAWN BY DATE | | TITLE | | | | |
| | | DRAFT WHERE APPLICABLE MUST REMAIN WITHIN DIMENSIONS | | ANGULAR \pm ---- | | APPROVED BY DATE | | MOLEX INCORPORATED | | FCB ROUND CONDUCTOR 2.54MM(.100)CENTER PVC. 24AWG STRANDED TOPCOATED | |

E

E

| CHART A | | | | |
|-------------------------|------------|------------------|-------------------------|---------------|
| DIMENSIONS MM. (INCHES) | | | | |
| ENGINEERING NO. | ORDER NO. | NO. OF CONDUCTOR | DIMENSION S | DIM. W (REF.) |
| 8997-02-100B | 82-24-5902 | 2 | 2.54±0.127(.100±.005) | 5.08 (.200) |
| ↑ -03- ↑ | ↑ 03 | 3 | 5.08±0.20 (.200±.008) | 7.62 (.300) |
| -04- | 04 | 4 | 7.62±0.30 (.300±.012) | 10.16 (.400) |
| -05- | 05 | 5 | 10.16±0.33 (.400±.013) | 12.70 (.500) |
| -06- | 06 | 6 | 12.70±0.33 (.500±.013) | 15.24 (.600) |
| -07- | 07 | 7 | 15.24±0.33 (.600±.013) | 17.78 (.700) |
| -08- | 08 | 8 | 17.78±0.33 (.700±.013) | 20.32 (.800) |
| -09- | 09 | 9 | 20.32±0.33 (.800±.013) | 22.86 (.900) |
| -10- | 10 | 10 | 22.86±0.33 (.900±.013) | 25.40 (1.000) |
| -11- | 11 | 11 | 25.40±0.33 (1.000±.013) | 27.94 (1.100) |
| -12- | 12 | 12 | 27.94±0.33 (1.100±.013) | 30.48 (1.200) |
| -13- | 13 | 13 | 30.48±0.33 (1.200±.013) | 33.02 (1.300) |
| -14- | 14 | 14 | 33.02±0.33 (1.300±.013) | 35.56 (1.400) |
| -15- | 15 | 15 | 35.56±0.33 (1.400±.013) | 38.10 (1.500) |
| -16- | 16 | 16 | 38.10±0.33 (1.500±.013) | 40.64 (1.600) |
| -17- | 17 | 17 | 40.64±0.33 (1.600±.013) | 43.18 (1.700) |
| -18- | 18 | 18 | 43.18±0.33 (1.700±.013) | 45.72 (1.800) |
| ↓ -19- ↓ | ↓ 19 | 19 | 45.72±0.33 (1.800±.013) | 48.26 (1.900) |
| 8997-20-100B | 82-24-5920 | 20 | 48.26±0.33 (1.900±.013) | 50.80 (2.000) |

ENGINEERING NO.

8997-XX-XXXX

A B C D

A : CABLE 2.54mm. (.100") CENTERS 24AWG STRANDED TOPCOATED

B : CONDUCTOR SIZE (AVAILABILITY 2 THROUGH 20)

C : CABLE LENGTH 100FT. (30.48M.)

D : A = INCHES

B = FEET

D

D

C

C

B

B

A

A

| | | | | | | | | |
|--|-----------------|--|----------|-----------------|--|--|------------------------|--|
| SEE CHANGE DETAIL EC NO: THL2008-0015 DRWN: CPANSAKHOM 2007/11/28 CHKD: DNARINTARA 2007/11/29 APPR: SVIRATJAPOL 2007/12/04 | QUALITY SYMBOLS | GENERAL TOLERANCES (UNLESS SPECIFIED) | | DIMENSION STYLE | SCALE | DESIGN UNITS | THIRD ANGLE PROJECTION | |
| | ▽ = ▽ = | mm | INCH | MM/IN | NTS | INCH | | |
| | | 4 PLACES ± --- | ± --- | DRAWN BY | DATE | TITLE | | |
| | | 3 PLACES ± --- | ± --- | CPANSAKHOM | 2006/07/18 | FCB ROUND CONDUCTOR 2.54MM(.100)CENTER PVC. 24AWG STRANDED TOPCOATED | | |
| | | 2 PLACES ± --- | ± --- | CHECKED BY | DATE | MOLEX INCORPORATED | | |
| | 1 PLACE ± --- | ± --- | PMEECHAI | 2006/07/18 | | | | |
| | ANGULAR ± ---° | DRAFT WHERE APPLICABLE MUST REMAIN WITHIN DIMENSIONS | | APPROVED BY | DATE | DOCUMENT NO. | | |
| | | | | SVIRATJAPOL | 2006/07/18 | SD-8997-001 | | |
| | | | | MATERIAL NO. | SHEET NO. | | | |
| | | | | SEE CHART | 3 OF 3 | | | |
| | | | | SIZE | THIS DRAWING CONTAINS INFORMATION THAT IS PROPRIETARY TO MOLEX INCORPORATED AND SHOULD NOT BE USED WITHOUT WRITTEN PERMISSION | | | |
| | | | | A 4 | | | | |